

Sensual Knits Errata

Please direct any further questions or comments to the publishers.

Hollan Publishing: holly@hollanpub.com or Sterling Publishing: editorial@sterlingpublishing.com

Please make sure to read all pattern notes before knitting. **Contact designers directly with any other questions.**

Chart keys can be found in book.

Demeter pg 20

Lace Edging Chart

	12	11	10	9	8	7	6	5	4	3	2	1	
10	V	●	●	○	/								
	/		/	○			/	○	\				9
8	V	●	●	○	/								
	/		/	○				/	○	\			7
6	V	●	●	○	/								
	/		/	○						○			5
4	V	●	●	○	/								
	/		/	○					○				3
2	V	●	●	○	/								
	/		/	○					○	/			1

Pink Sundae pg 25

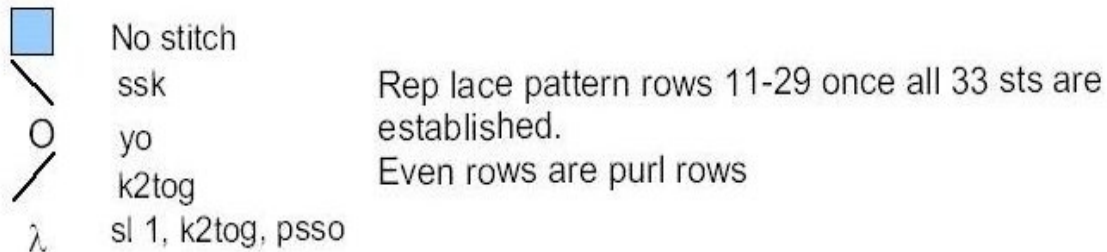
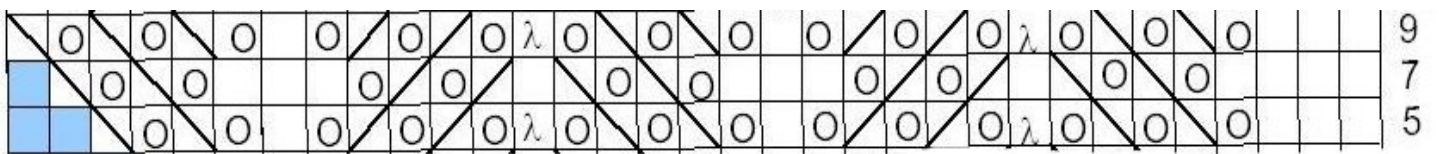
Wavy Border Chart:

	23	22	21	20	19	18	17	16	15	14	13	12	11	10	9	8	7	6	5	4	3	2	1	
14			●	●										●	●									
					○	/	○				○													13
12					●	●								●	●									
							○	/	○		○			∩										11
10					●	●								●	●									
							/	○	/	○			∩											9
8					●	●								●	●									
							/	○	/	○			∩											7
6					●	●								●	●									
							/	○	/	○			∩											5
4					●	●								●	●									
							/	○	/	○			∩											3
2	●	●												●	●									
			○	/	○						○													1

Silken Cowl pg 27

Gauge :23 sts and 31 rows = 4" in St st

For the larger sizes rows 5, 7, and 9 are missing k2togs and ssks.



Lace chart for Lace Panel Cardigan (sizes 36, 38, 40, 42, 44)
 – right front.
 For left front, reverse.

For the **sleeve cap shaping** the *third paragraph* should read:

Dec 1 st at each end of sleeve every other row 4 [4, 5, 5, 6, 6, 7] times – 38 [40, 40, 44, 42, 44, 42] sts rem.

Dec 1 st at each end of sleeve **EVERY** row 4 [4, 5, 5, 5, 5, 5] times – 30 [32, 30, 34, 32, 34, 32] sts rem.

Multiplicity pg 62

Schematic shows sweater with a vneck, in reality sweater has a round neck.

Typo: sts rem for **back** before armhole should read 79 (84 94 99 **107**) sts. This mistake is carried through end of back, where it should read 19 (24 32 37 **43**) sts. For the **front**, work across 18 (18 19 19 **20**) BO center 19 (24 32 37 **43**) work rem 18 (18 19 19 **20**) sts.

Sleeves:

Inc 1 st ea end every 20 rows 7 (7, 7, 8, 8) times- 56 (56 56 58 58) sts.

shape cap

At beg of next 2 rows BO 5sts, then dec 1 st each end EOR 14 times - 18 (18 18 20 20) sts. BO 4 sts at beg of next 2 rows.

BO rem 10 (10 10 12 12) sts

Joie de Vivre pg 68

1. Lace chart: the dropped sts/yo are worked on row 7 (not 6!). This is correct in the written out instructions.

2. The chart and written out lace pattern instructions are mirror images of each other. If you stick to one set of instructions, you'll be fine!

3. The set up row is missing from the written out instructions. They were in my original Word doc, so I assume they were edited out to make the pattern shorter.

row 1 (initial set up row, worked only once, RS): [p2, k1, yo, k1, p2, k2] to end.

4. Right front decreases says "Repeat from * to * 3 (5, 0, 0, 0) times".

It should read "Repeat from * to * 2 (4, 0, 0, 0) times ---OR-- Work the set of dec a total of 3 (5, 1, 1, 1) times".

5. Last instruction of Right Front reads: "After 68 (70, 72, 74, 74) rows have been worked".

This is confusing. There are 26 cast-on/increase rows (CO 2st EOR 12 times, then CO 30 (32, 32, 34, 34) st once). It might be clearer to say "Then, work an additional 42 (44, 46, 48, 48) rows even, in lace patt, for a total of 68 (70, 72, 74, 74) rows".

6. Back stitch count is wrong.

"Place rem 72 (79, 82, 88, 93) sts on needle" is wrong. In the previous paragraph (Left Front), we specified that the correct number of remaining sts is "64 (74, 84, 94, 104)".

7. Back st count error #2.

The total # of sts, after increasing, reads "150 (159, 162, 170, 175)". It should read " 172 (186, 196, 210, 220)".

Seeded Cables pg 78

When the directions state to work something on a chart row and following X row, it does not mean the next chart row or chart row with that number but rather after x knitted rows.

Main chart (seeded cable)

row 15 has the cable crossing the wrong direction, it should read:

Row 15: k4, p2, 8-st RC, p12, 8-st RC, p2, k4

row 26 is missing two knit stitches, the corrected row should read:

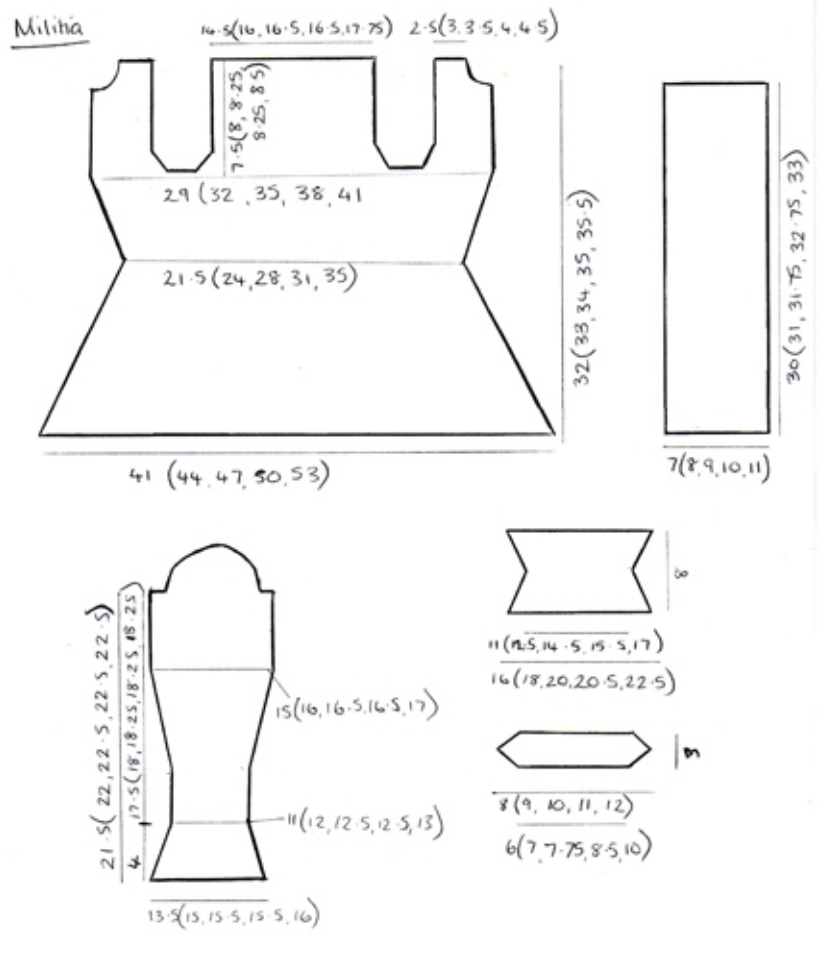
Row 26: p4, k4, p5, k1, p5, k2, p5, k, p5, k4, p4

NEW Seeded Cables Revised Pattern(PDF)

Snezi pg 83

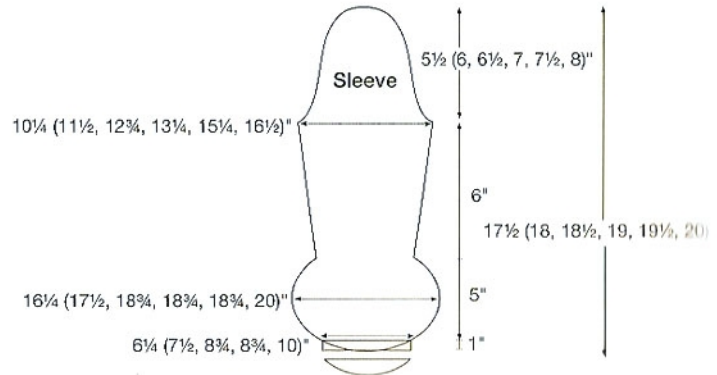
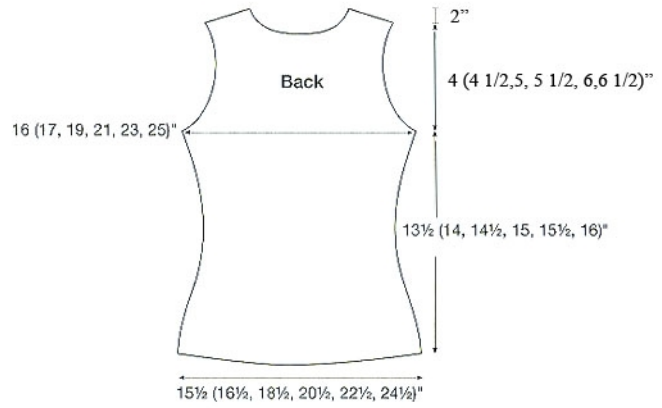
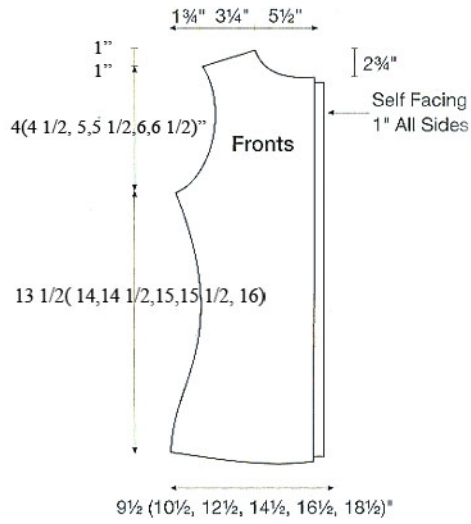
Increases should **NOT** be kfb, but rather bar increases (M1). Following the printed increase will result in the wrong stitch counts.

Militia Coat pg 88

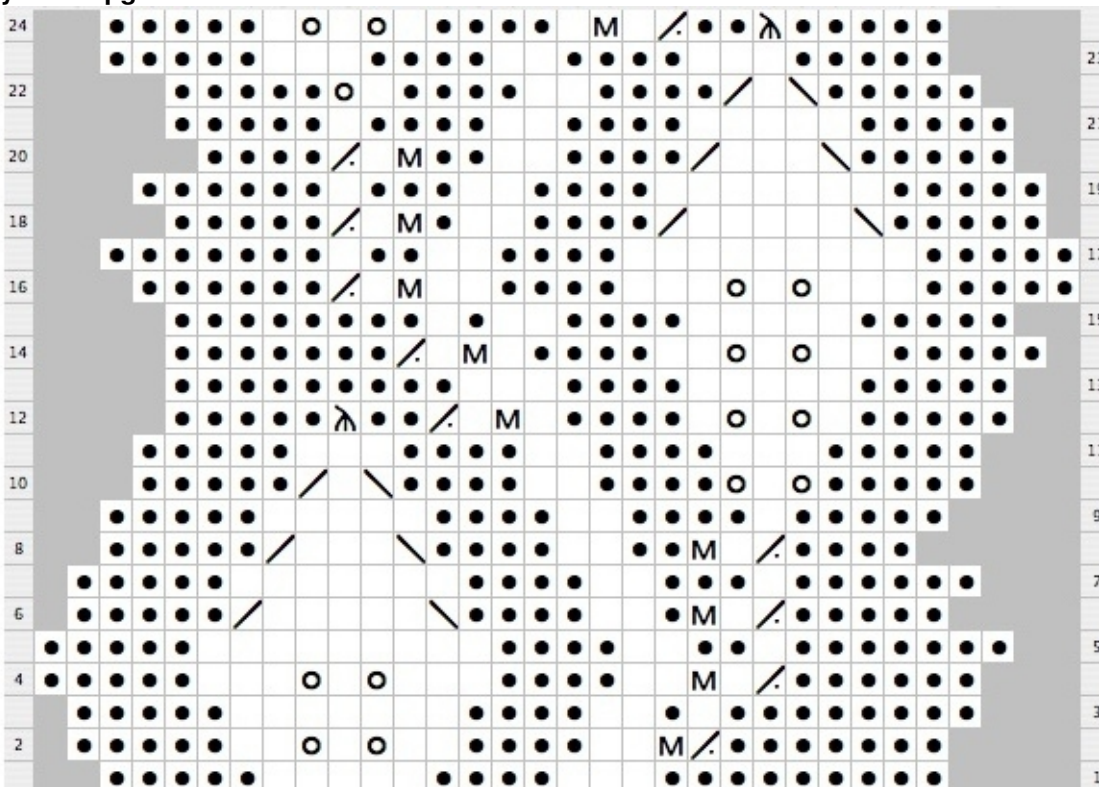


Balloon Sleeve Jacket pg 96

BALLOON SLEEVE JACKET SCHEMATICS



Ivy Dress pg 116



corrected chart D:

